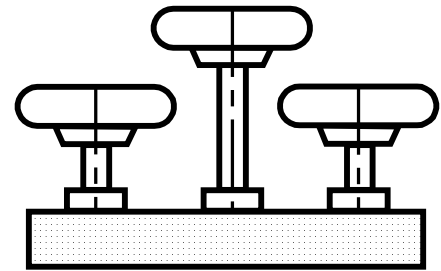


AB Manifolds

Application

For steam flow-rate measurement instruments to shut-off and blow-off DP-flow ducts and zero adjustment control of connected measuring transmitter.



Construction

As 3-way and 5-way manifold.

The 3-way manifolds serve for shutting-off of DP-flow ducts and for zero adjustment control of connected measuring transmitter. As an add-on the 5-way manifolds have two blow-off valves.

Both constructions may be delivered either for wall mounting or for direct connection with the measuring transmitter (DIN 19213).

The manifold housing consists of unalloyed high-grade steel and stainless steel 1.4571 and is forged out of one piece. Special constructions may be carried out in 13CrMo44.

Technical Details

Nominal Pressure:	DN 5 (ANSI xxx)
Nominal pressure:	up to PN 400 (ANSI up to xxxx lbs)
Temperature:	Up to 400 °C
Valve Heads:	Exchangeable
Spindle:	Back sealing
Cone:	Enrolled, movable
Seat:	Exchangeable
Packing:	Pure graphite resp. PTFE
Handling:	3-way manifolds: with handwheel 5-way manifolds: with detachable socket wrench
Connections:	As standard according to following table. Additionally it is possible to manufacture along customer specifications.

Type	Material	Inlet	Outlet
AB 3 400 E	C22 and 1.4571	E 12	E 12 (wall mounting)
AB 3 160 T	C22 and 1.4571	E 12	measuring transmitter
AB 5 400 E	C22 and 1.4571	E 12	E 12 (wall mounting)
AB 5 160 T	C22 and 1.4571	E 12	measuring transmitter

E = Compression-Type Fitting

Particularities

For direct connection to the measuring transmitter it is always necessary to specify its type because different mounting screws are needed.

Additional Scope of Delivery

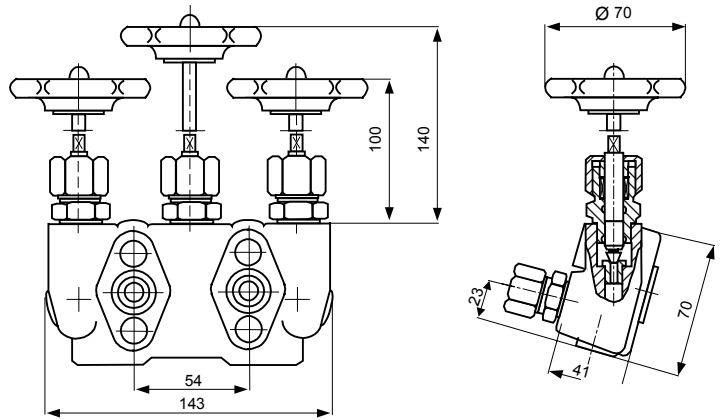
1. free of oil and grease for oxygen
2. with oversized valve spindles
3. valve heads with bellow and safety compression gland
4. material certificate according to EN 10204 (along with DIN 50049 3.1B).

Accessories

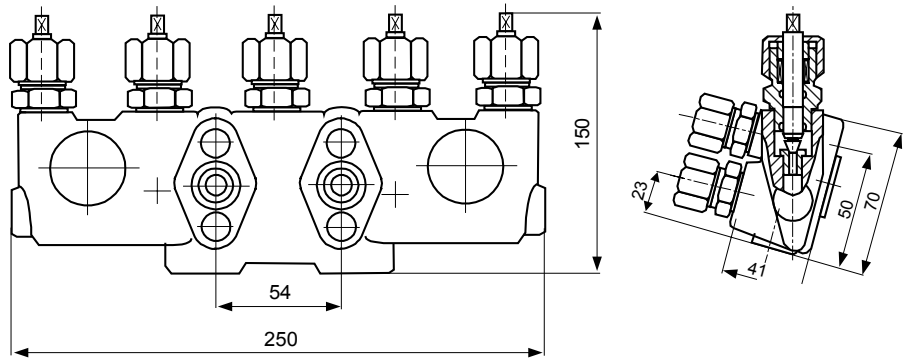
For direct connection following accessories are needed and are part of scope of delivery:

- 4 pcs. hexagonal bolt with grommet
M 12 x 50 DIN 931 or
7/16 UNF x 20 x 2"
- 2 pcs. PTFE sealings
Ø 17,7 x Ø 2 x 2,9 DIN 19213
- 1 Socket wrench
(5-way manifold)

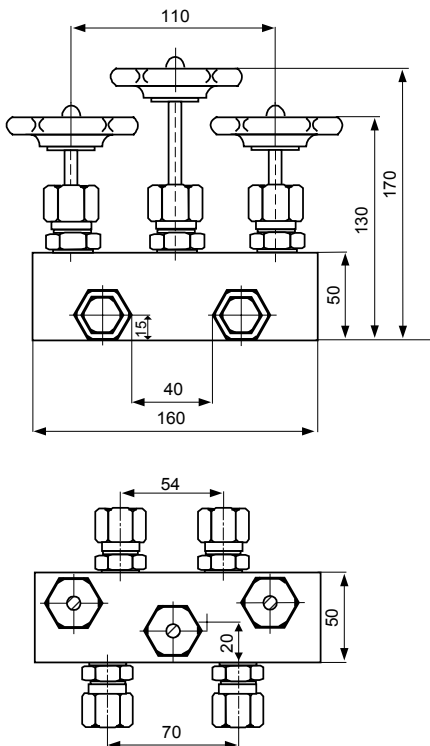
Dimensional Sketches



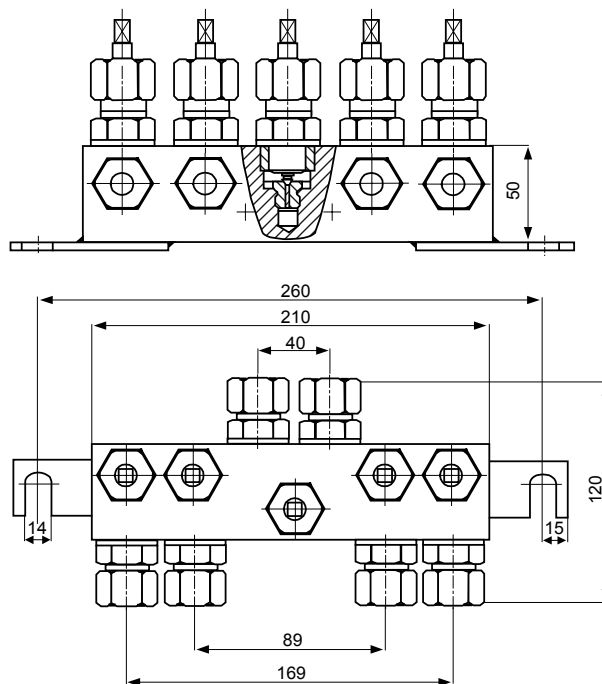
3-way manifold for direct connection to the measuring transmitter (**AB 3 160 T**)



5-way manifold for direct connection to the measuring transmitter (**AB 5 160 T**)



3-way manifold for wall mounting (**AB 3 400 E**)



5-way manifold for wall mounting (**AB 5 400 E**)