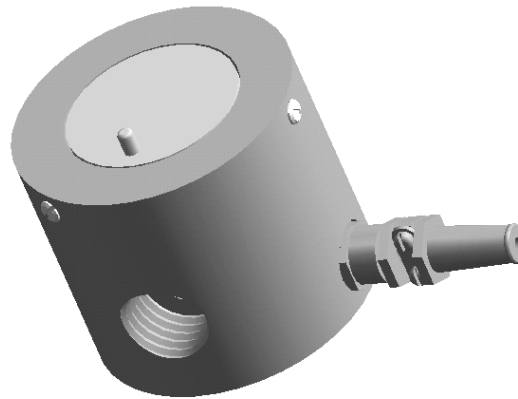


## Flow switch for low gas- or liquid flows type 41vS



The unit has been developed for long-term operational use and controls liquid flows from 0.1 l/h or gas flows from 20 l/h referred to air with standard conditions. The unit is suitable for horizontal pipes with threaded process G ¼. The set point is factory set.

### Operation

The flow directed upwards lifts a float. When decreasing the set point a permanent magnet contained in the float operates a reed contact. With normal flow the float is situated at the stop. The pressure loss is kept down by means of overflow tubing.

### Advantages

- Control of small flow quantities.
- Suitable for pulsing flow from piston or diaphragm pumps.
- Low cost unit for OEM applications.
- Suitable for the use in intrinsically safe circuits.
- Differing material combinations for aggressive media.

### Suitability

- Control of gas odorization.
- Control of extraction.
- Leakage control.
- Overflow control.

### Technical data (standard model)

<i>Installation position</i>	Horizontal
<i>Wetted parts</i>	Housing PVDF, float Corrosion and acid resistant stainless steel, material no. 1.4571 (similar to AISI 316Ti)
<i>Switch contact</i>	Plastics encapsulated reed contact, closing with falling flow Switching capacity: max. 300V/50 Hz, max. 0.5 A, max. 10W Resistance 0.2 Ω

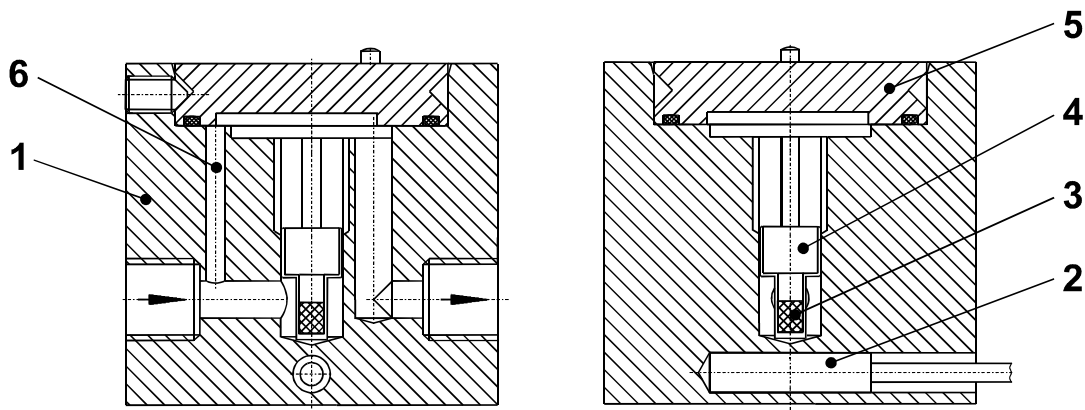
<i>Set points</i>	Liquids: from 0.1 l/h Air with standard conditions: from 20 l/h;
<i>Cable</i>	2 m two- core litz, 22 AWG (0.324 mm <sup>2</sup> ) PVC isolated and covered with PVC, with litz ends
<i>Admissible deviation of actual set point</i>	+/- 5 % of required set point
<i>Repeatability of adjusted set point</i>	+/- 2 % of adjusted set point
<i>Hysteresis</i>	Between on and off switching 20 % of required set point
<i>Operating pressure</i>	Max. 16 bar
<i>Operating temperature</i>	Max. 105 °C
<i>Ambient air temperature</i>	-25 to +70 °C

**Special models**

- ⇒ Material of housing material no. 1.4571.
- ⇒ Unit with switch housing mounted below made of aluminium, or stainless steel 1.4408 (similar to AISI CF-8M). With cable entry Pg11 or M20 x 1.5 and connecting terminals. Protection class according to DIN 40050 IP 65.
- ⇒ Unit with inductive proximity sensor according to Namur, also available in self-controlling technique.
- ⇒ Model for the use in intrinsically safe circuits.
- ⇒ Model for operating pressures up to 350 bar.
- ⇒ Models for temperatures up to 250 °C. with stainless steel housing
- ⇒ Adjusting ranges of set points according to requirements 1 : 5
- ⇒ Unit with threaded process G ½ or G1.

**Note**

There is no maintenance required if the unit is used with clean liquids and gases. For slightly contaminated media a suitable filter has to be incorporated.



- |          |                  |          |                      |
|----------|------------------|----------|----------------------|
| <b>1</b> | Flow body        | <b>4</b> | Float                |
| <b>2</b> | Reed switch      | <b>5</b> | Set point adjustment |
| <b>3</b> | Permanent magnet | <b>6</b> | Bypass               |