

AK Condense Vessels

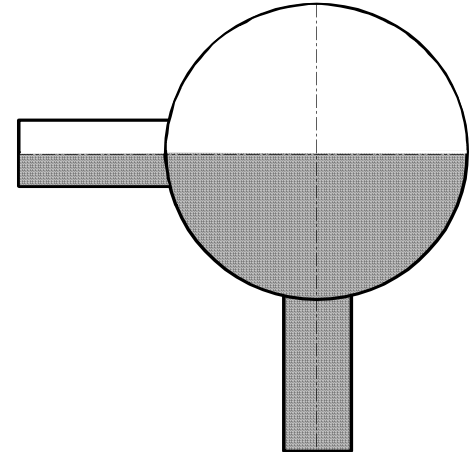
Application

For steam flow-rate measurement instruments for stabilization condensate column. Excess condensate may run back into main pipe or missing condensate may form quickly again in the vessels when having load changes and the affiliated displacement of pipe contents.

Construction

According to DIN 19211 welded together out of hot pressed hemispherical heads with two 90°-staggered connecting pieces.

According to the operating conditions the materials are boiler plate H II, stainless steel or heat-resistant steel 16Mo3, 13CrMo4-5 and 13CrMo9-10.



Technical Details

Contents:	300cm ³ for standard type out of boiler plate H II The contents diminishes depending on the wall thickness.			
Nominal pressure:	Type AK 100	up to PN 100	(ANSI up to xxxx lbs)	
	Type AK 250	up to PN 250	(ANSI up to xxxx lbs)	
	Type AK 320	up to PN 320	(ANSI up to xxxx lbs)	
	Type AK 500	up to PN 500	(ANSI up to xxxx lbs)	
Temperature:	Up to 550 °C The loading of temperature depends on operation pressure and the used material. Refer to span of application on overleaf diagram.			
Outer-Ø:	89 mm			
Length:	For the standard type it amounts to 110 mm and corresponds therefore the dimensions of 2, 4 and 6 of DIN 19211. On special request it is possible to deliver lengths of 230 mm; this means that the contents –depending on the material- increases up to 450, 800 or 900 cm ³ .			
Connections:	As standard according to overleaf table. Additionally it is possible to manufacture according to customer specifications.			

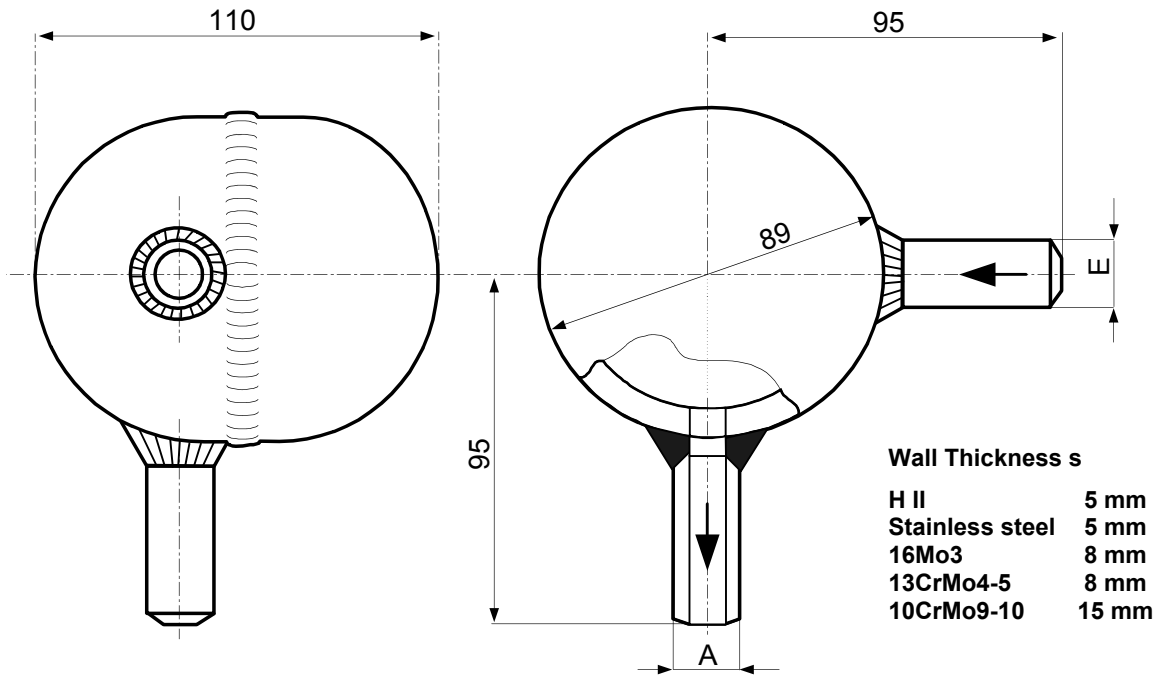
Materials

Type	Material	W-No.	Nominal Pressure	Temperature
AKH 100	Boiler Plate H II	1.0425	PN 100	300°C
AKV 100	Stainless Steel	1.4571	PN 100	400°C
AK 250	16Mo3	1.5415	PN 250	500°C
AK 320	13CrMo4-5	1.7335	PN 320	500°C
AK 500	10CrMo9-10	1.7380	PN 500	550°C

Material Certificates

On request it is possible to deliver material certificates for hemispherical heads and connecting pieces according to EN 10204 (DIN 50049) 3.1B; for 16Mo3, 13CrMo4-5 and 10CrMo9-10 also with 3.1A (TÜV). Pressure test certificates are possible to deliver.

Dimensional Sketch



Summary of Types and Connection Types

Type	Material	Inlet E	Outlet A
AKH 100 G	H II	S 21,3 x 4 S 21,3 x 4 S 21,3 x 4 S 17,2 x 4	S 21,3 x 4 E 16 x 3 E 12 x 2 E 12 x 2
AKH 100 F	H II	S 21,3 x 4 G 1/2" G 1/2" 1/2" NPT	G 1/2" G 1/2" E 16 x 3 1/2" NPT
AKV 100 G	1.4571	S 17,2 x 3 S 21,3 x 4	E 12 x 2 E 16 x 3
AKV 100 F	1.4571	G 1/2" S 17,2 x 3	G 1/2" G 1/2"
AK 250 G	16Mo3	S 21,3 x 4	S 21,3 x 4
AK 320 G	13CrMo4-5	S 21,3 x 4	S 21,3 x 4
AK 500	10CrMo9-10	S 21,3 x 4 S 24 x 7,1	S 21,3 x 4 S 24 x 7,1

- S = Welding Joint
- E = Smooth pipe for Compression-type fitting
- G 1/2" = thread union for flange Connection DIN 19207

Accessories for flange connection DIN 19207
See page 97.4

Span of Application for Vessels and Materials

Curve	Type	Materials	Joint
1	AK 100	H II, 1.4571	E, G 1/2"
2	AK 100	H II, 1.4571	S
4	AK 250	16Mo3	S
4	AK 320	13CrMo4-5	S
5	AK 500	10CrMo9-10	S

